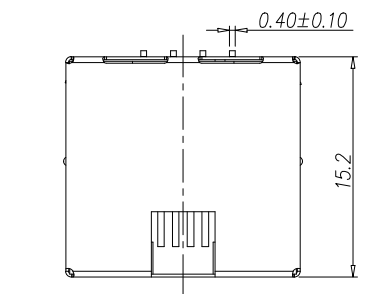


CATEGORY	DESCRIPTION	P/N #
CONNECTOR	Modular Jack, 8P8C, Straddle DIP Without LED Type	MJ88D-BX11-RV1-X

料号由原 MJ88D-BX11-RVX
 变更为 MJ88D-BX11-RV1-X

REV.	ECN NO	DESCRIPTION	REVISED	DATE
A01	—	New Release	XSY	2013.10.09
A02	—	料号变更	XSY	2016.05.05



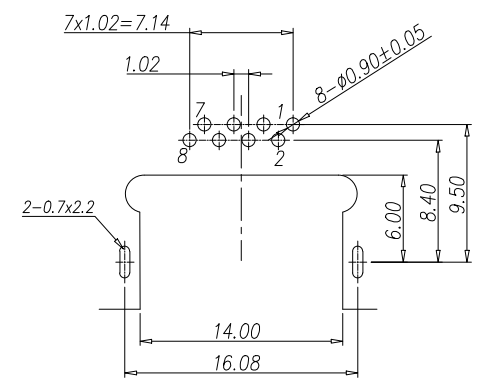
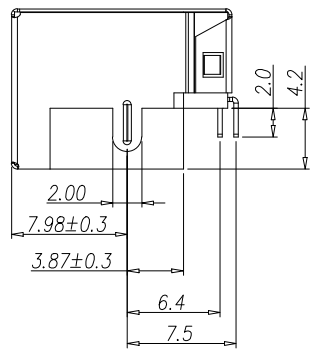
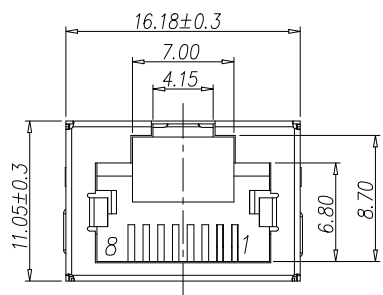
MJ88D-BX11-RV1-X

Material & Plating

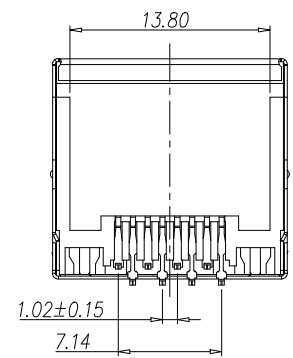
X	Terminal Plating	X	包装方式
0	Au 1u" Plating	C	卷带包装
1	Au 3u" Plating	P	吸塑盒包装
2	Au 6u" Plating		
3	Au 15u" Plating		
4	Au 30u" Plating		
5	Au 50u" Plating		

SPECIFICATIONS:

- RJ Electrical Characteristics
 - Voltage: 150V AC RMS
 - Current Rating: 1.5A
 - Contact Resistance: 40mΩ MAX.
 - Insulation Resistance: 500MΩ MIN.
 - Dielectric Withstang Voltage :1000V AC
 - Operate Temperature: -40°C~80°C



Recommend PCB Layout
 (Jack Top View)
 Tolerance: ±0.05mm



 东莞市合陵电子有限公司
 DongGuan Heling Electronic Co.,LTD

NO.	PART NAME	Q'TY	MATERIAL	PLATING & COLOR
c	Shielding	1	Brass, T=0.2mm	Ni Plating
b	Terminal	8	Phosphor Bronze, T=0.3mm	Au/Tin Plating
a	Housing	1	LCP UL94V-0	Black

UNLESS OTHERWISE SPECIFED TOLERANCES		SCALE: 1/1	UNIT: mm	DWG.NO: WI-061-004	
		SIZE: A3	PAGE: 1 OF 1	REV: A02	
DECIMALS: X :±0.5 X.X :±0.3 X.XX :±0.2		ANGLES: X :±2° X.X :±1°		APPROVED BY	CHECKED BY
				DICK	XSY
				PREPARED BY XSY	
CUSTOMER COPY					